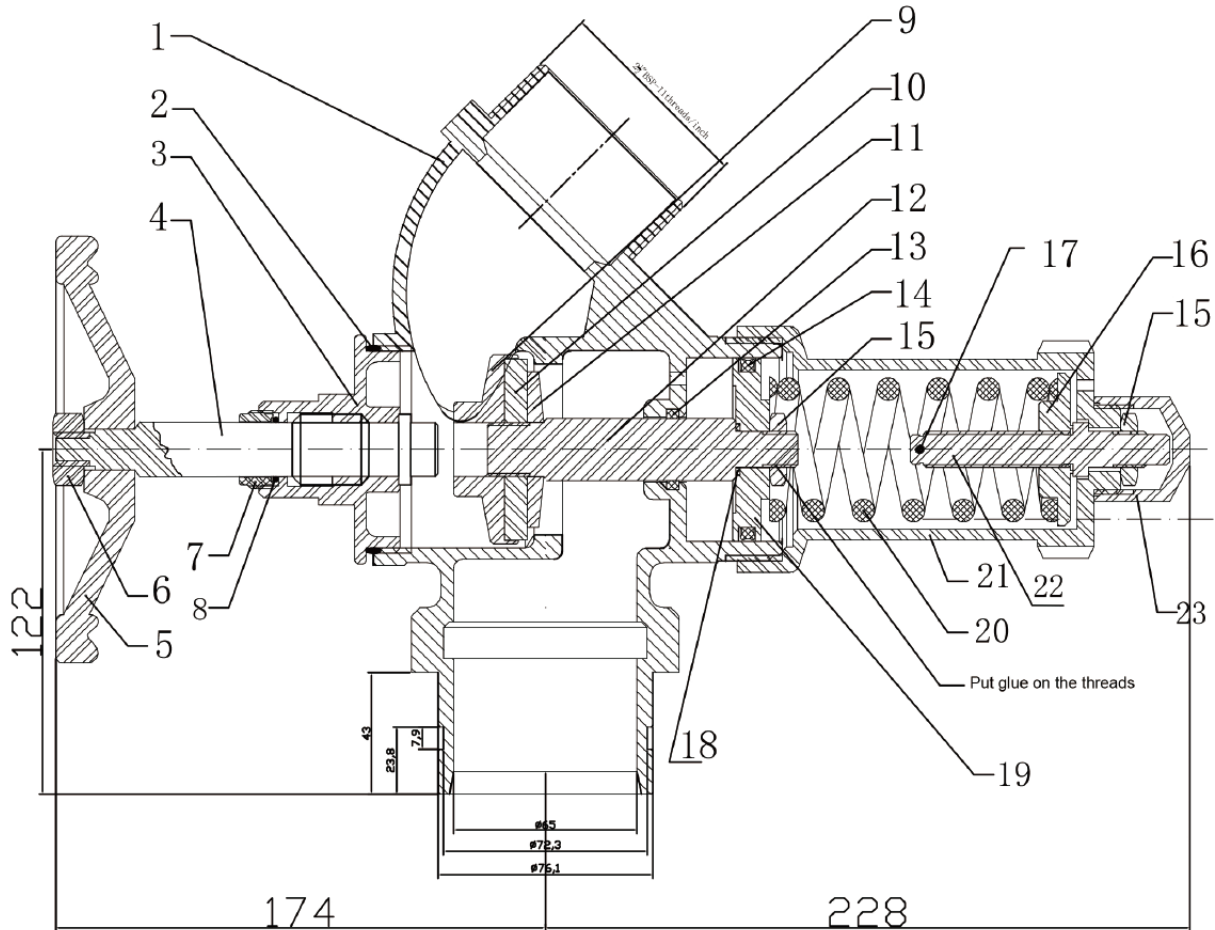


Landing Valve



Technical Requirements

1. The surface of the product is free of cracks, air holes, sand holes, unevenness and other defects.
2. Apply appropriate amount of silicone grease to the rubber parts during assembly.
3. Sealability test: Pressure is gradually increased to 24bar, no leakage, full inspection
4. Inlet pressure 12bar, Outlet pressure 7bar

Landing Valve

12	HY001-001-57	Rod	HPb59-1	1								
11	HY001-001-20	Pressboard	HPb59-1	1		23	HY001-001-19A	Cap	HPb59-1	1		
10	HY001-001-37	Gasket	NR	1		22	HY001-001-100	Screw	HPb59-1	1		
9	HY001-001-39	Spool	HPb59-1	1		21	HY001-001-89	Closed Lid	HPb59-1	1		
8	HY001-001-10	O-Ring	NR	1		20	HY001-001-90A	Spring	Spring Steel	1		
7	HY001-001-19	Cap Screm	HPb59-1	1		19	HY001-001-53	Piston	HPb59-1	1		
6	HY001-001-34B	Hex Nut	SUS304	1		18	HY001-001-10B	O-Ring	NR	1		
5	HY001-001-43	Handwheel	HT250	1		17	HY001-001-24A	Pin	Spring Steel	1		
4	HY001-001-02-04	Stem	HPb59-1	1		16	HY001-001-86	Spring Seat	HPb59-1	1		
3	HY001-001-74	Valve Seat	HPb59-1	1		15	HY001-001-34A	Hex Nut	HPb59-1	2		
2	HY010-006-10E	O-Ring	NR	1		14	HY001-001-37B	Gasket	NR	1		
1	HY001-001B4-01	Valve Body	ZCuZn40Pb2	1		13	HY001-001-37	Gasket	NR	1		
	S.N.	Code	Name	Material	QTY	Note	S.N.	Code	Name	Material	QTY	Note
Base Drawing							VOCLA FIRE PROTECTION				QTY	1
Sign	Markers	File number	Sign	Date	2.5" Landing Valve.				Pattern marking	Weight	Ratio	
Date	Design		Standard		Material					7 KG		
21/12/2023	Drawing		Tracing						HPb59-1			
Standard	Audit		Approval									
DIN ISO	Process review		Date									

Product Features :

- Suitable for fire fighting in high rise buildings, tunnels, refineries, chemical industries, off shore industry,...
- Having a constant outlet pressure by oscillate inlet pressure.
- Nominal pressure PN20.
- Adjustable outlet pressure 3 – 10 bar.
- Inlet connection DN65 grooved.
- Outlet connection Storz 81 & endcap (included).
- Can also be delivered with DSP70 outlet connection with cap.
- Standard outlet pressure 5.5 bar (article : 11901355) & 7 bar (article : 11901356).
- **Different outlet pressure available. Please mention this upfront when placing the order.**