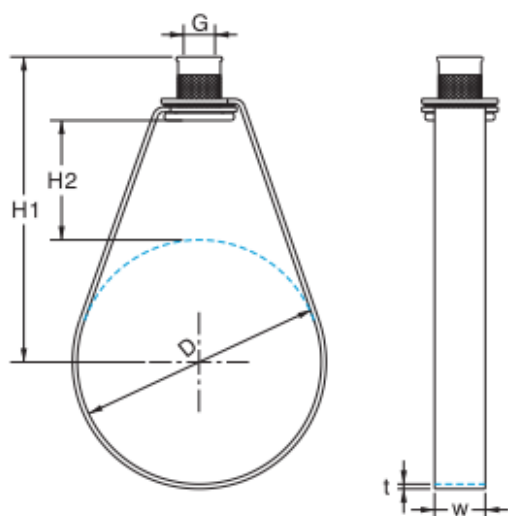


SPRINKLER LOOP HANGER



Advantage / Benefits

- Approved for the fixing of sprinkler systems by FM and UL certifications
- Designed for suspending insulated pipe (with shield) or non-insulated pipe allowing for vertical adjustment
- One-piece design allows quick and easy installation of sprinkler pipes
- Ideal for suspension using threaded pins and threaded rods
- Simple height adjustment using the knurled nut



Technical Data

- **Material**
Steel 1.0332 acc. to DIN EN 10111
- **Zinc plating**
Pre-galvanised acc. to DIN EN 10327
- **Connection**
Knurled nut

Loading Data	
Size	Max. Recommended Load (N)
1/2" - 2"	1800
2-1/2" - 4"	2700
6"	4500
8"	5600

SPRINKLER LOOP HANGER

Article Number	Clamping Range			Dimensions (mm)				UL approved	FM approved	Weight kg/pcs	Pack Size (pcs)
	DN	D(mm)	(inch)	w x t	G	H1	H2				
15001025	25	33.7	1	16x1.2	M10	67	28	X	X	0,0400	100
15001032	32	42.4	1-1/4	16x1,2	M10	71	27	X	X	0,0500	100
15001040	40	18.3	1-1/2	16x1.2	M10	76	30	X	X	0,0500	50
15001050	50	60.3	2	16x1.2	M10	78	26	X	X	0,0600	50
15001065	65	76,1	2-1/2	19x2.0	M10	99	38	X	X	0,0900	50
15001080	80	88.9	3	19x2.0	M10	117	50	X	X	0,1100	50
15001100	100	114.3	4	19x2.0	M10	131	51	X	X	0,1500	25
15001150	150	168.3	6	19x2.0	M12	196	84	X	X	0,3800	25
15001200	200	219,1	8	23x3.0	M12	203	66	X	X	0,5100	25